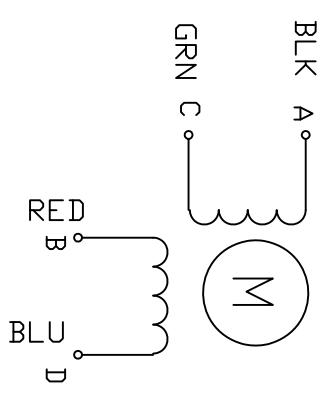


REV	REV NO.	DESCRIPTION	DRN	APP'D	DATE

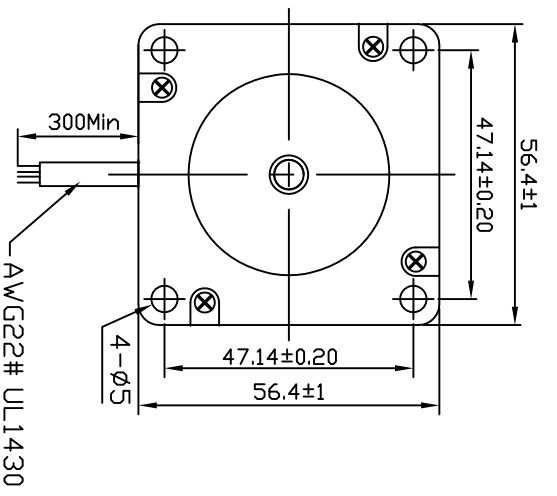
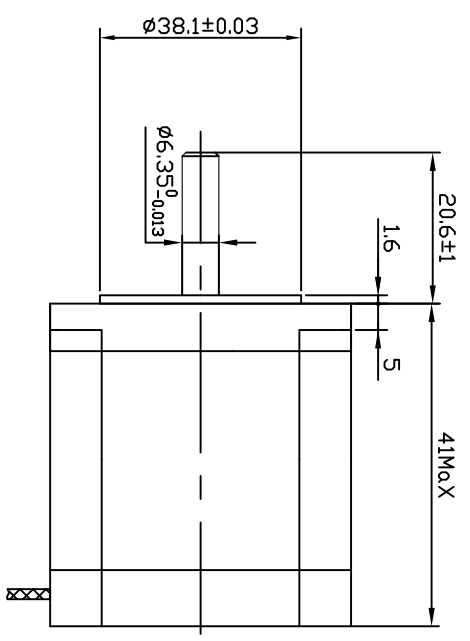
Wiring Diagram (接线图)



Exciting Sequence (励磁顺序)

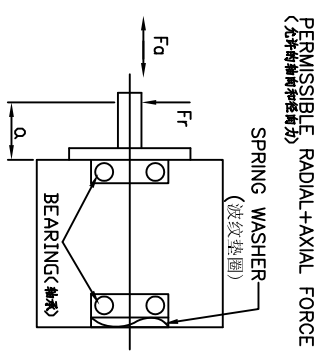
CW DIRECTION	STEP	A	C	B	D
↑	1	+		+	
	2		+		+
	3			+	+
	4	+			+

CW, see from flange side
(顺时针, 从法兰侧看)



SPECIFICATION

STEP ANGLE	步距角	0.9°/full step(步距)
STEP ANGLE ACCURACY	步距角精度	±5%
NUMBER OF PHASE	绕组相数	2
RATED VOLTAGE	额定电压	1.96 VDC
RATED CURRENT	额定电流	2.8 A
RESISTANCE/PHASE	每相电阻	0.7±10% ohms@20°C
INDUCTANCE/PHASE	每相电感	2.2±20% mH@1kHz
HOLDING TORQUE	保持转矩	55 N.cm
PULL OUT TORQUE	运行转矩	N.cm@ RPM
BACK EMF	反电动势	V @300RPM
DETENT TORQUE	定位转矩	N.cm
ROTOR INERTIA	转子转动惯量	g.cmr²
WEIGHT	重量	0.45Kg
TEMPERATURE RISE	温升	Less than 80K(ΔT80步)
SOURCE VOLTAGE	驱动器电压	24 VDC
INSULATION CLASS	绝缘等级	B 130°C
DIELECTRIC STRENGTH	介电强度	500VAC 1MIN
INSULATION RESISTANCE	绝缘电阻	100MΩhm @500VDC
IP CODE	防护等级	IP30
OPERATION AMBIENT	使用环境	Ambient temperature:-25...+40°C,humidity Max. 85%(No condensation)
STORAGE AMBIENT	存储环境	Ambient temperature:-10...+35°C,humidity Max. 85%(No condensation)



PN号	名称	数量	单位	备注	PN号	名称	数量	单位	备注

UNLESS OTHERWISE SPECIFIED TOLERANCES: ANGULAR: .x ±0.5 .xx ±0.25 .xxx ±0.1 DO NOT SCALE DRAWING

FIRST ANGLE PROJECTION

SCALE NTS OF SHEET

FULLING MOTOR