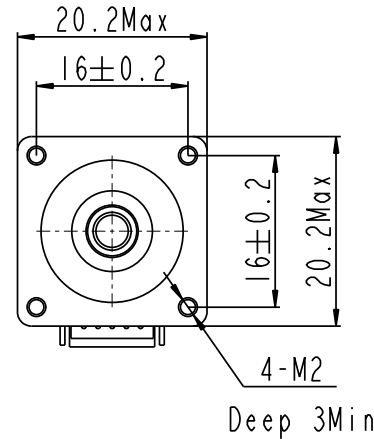
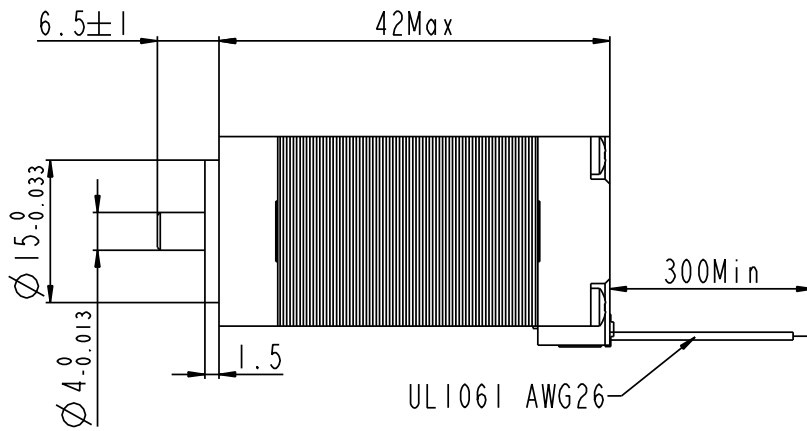
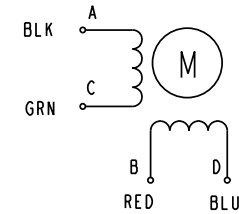


REV	ECN	NO	DESCRIPTION	DRN	APP'D	DATE



Wiring Diagram (接线图)



Exciting Sequence (励磁顺序)

CW DIRECTION	STEP	A	C	B	D
↓	1	+		+	
	2		+	+	
	3		+		+
	4	+			+
	1	+		+	

CW see from the flange side (顺时针, 从法兰侧看)

注意: 出线口用乐泰352胶密封

STEP ANGLE	步距角	1.8°/full step(单步)	PERMISSIBLE RADIAL+AXIAL FORCE (允许轴向和径向力)				
STEP ANGLE ACCURACY	步距角精度	±5%					
NUMBER OF PHASE	绕线相数	2					
RATED VOLTAGE	额定电压	4.32 VDC					
RATED CURRENT	额定电流	0.8 A					
RESISTANCE/PHASE	每相电阻	5.4±10% OHMS@20°C					
INDUCTANCE/PHASE	每相电感	1.5±20% mH@1kHz					
HOLDING TORQUE	保持转矩	300 g.cm					
PULL OUT TORQUE	运行转矩	/					
BACK EMF	反电动势	/					
DETENT TORQUE	定位转矩	/					
ROTOR INERTIA	转子转动惯量	3.6 g.cm²					
WEIGHT	重量	80 g					
TEMPERATURE RISE	温升	less than 80K(≠780R)			AXIAL-FORCE	轴向压力	Fa:4N Max
SOURCE VOLTAGE	驱动器电压	24 VCD			DISTANCE	距离	a:5mm
INSULATION CLASS	绝缘等级	B 130°C			RADIAL-FORCE	径向压力	Fr:20N Max
DIELECTRIC STRENG	介电强度	500VAC 1MIN			SHAFT RADIAL PLAY	径向间隙	0.02mm Max. @4N
INSULATION RESIST	绝缘电阻	100MΩ @500VDC	SHAFT AXIAL PLAY	轴向间隙	0.08mm Max. @4N		
IP CODE	防护等级	IP30	OPERATION AMBIENT 使用环境 Ambient temperature:-10...+50°C, humidity Max.85%(No condensation)				
STORAGE AMBIENT	存储环境	Ambient temperature:-20...+55°C, humidity Max.85%(No condensation)	UNIT: mm DO NOT SCALE DRAWING				

B	100202011	零件长度和重量表	DESIGN	DATE	P/N.	3.1.01.020.0019
REV	ECN NO.	DESCRIPTION	CONTR.	CHECK	TITLE	Specifications
UNLESS OTHERWISE SPECIFIED TOLERANCES:		MATERIAL		APPD	USED ON	FL20STH42-0804A
DECIMALS:	.X ±0.5	ANGULAR: ±0°'30"			DWG NO.	REV B
.XX ±0.25						
.XXX ±0.1						
UNIT: mm		FIRST ANGLE PROJECTION	SCALE 2:1		FULLING MOTOR	
DO NOT SCALE DRAWING			SHEET 1 OF 1			