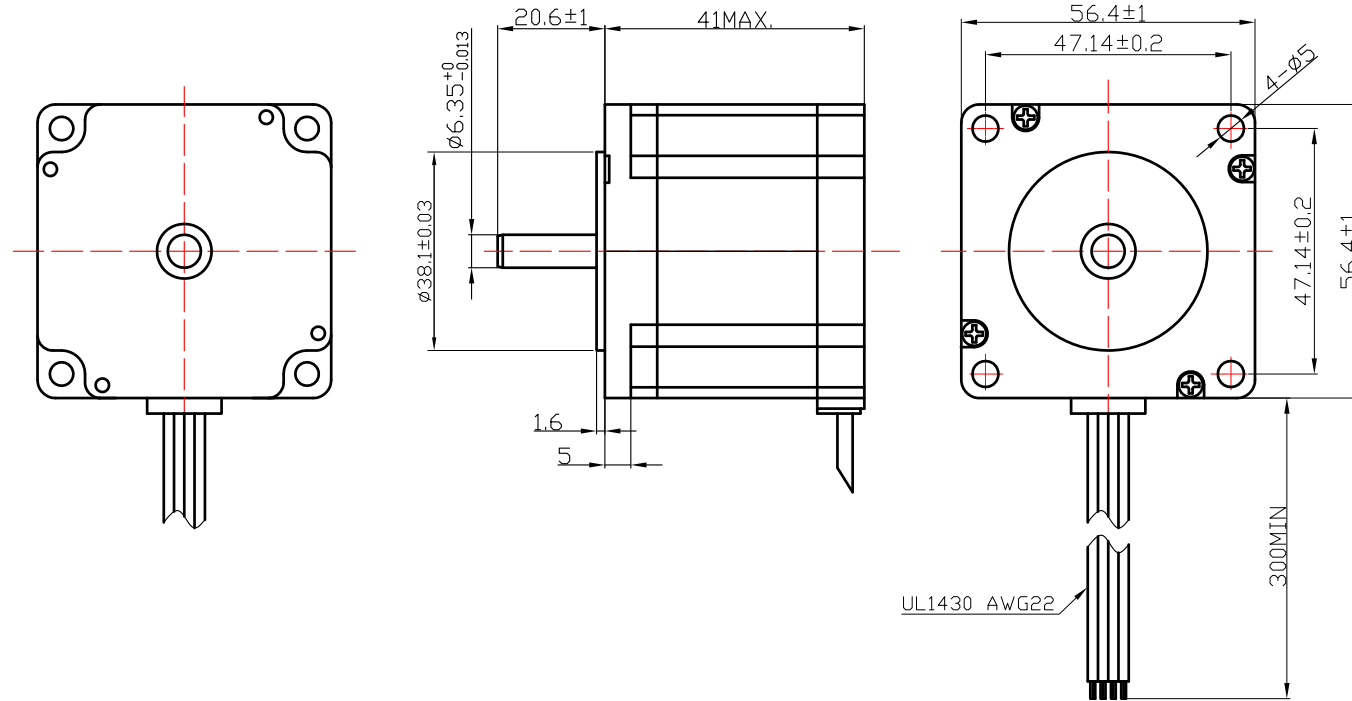
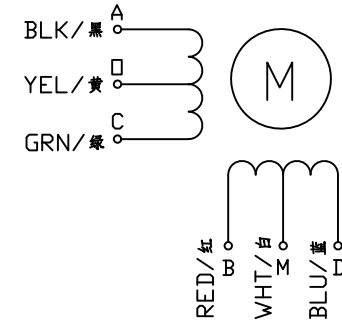


REV	ECN NO.	DESCRIPTION	DRN	APP'D	DATE



WIRING DIAGRAM/ 接线图



Exciting Sequence (励磁顺序)

CW DIRECTION	STEP	A	C	B	D	O	M
↓	1	+		+		+	+
	2		+	+		+	+
	3		+		+	+	+
	4	+			+	+	+
	1	+		+		+	+

CW, see from flange side  
(顺时针, 从法兰侧看)

SPECIFICATION

STEP ANGLE	步距角	1.8°/full step(整步)	PERMISSIBLE RADIAL+AXIAL FORCE (允许的轴向和径向力)	
STEP ANGLE ACCURACY	步距角精度	±5%		
NUMBER OF PHASE	绕组相数	4		
RATED VOLTAGE	额定电压	2.8 VDC		
RATED CURRENT	额定电流	2 A		
RESISTANCE/PHASE	每相电阻	1.4±10% ohms@20°C		
INDUCTANCE/PHASE	每相电感	1.4±20% mH@1kHz		
HOLDING TORQUE	保持转矩	0.39 N.m		
PULL OUT TORQUE	运行转矩	N/A		
BACK EMF	反电动势	V @300RPM		
DETENT TORQUE	定位转矩	N.cm		
ROTOR INERTIA	转子转动惯量	120 g.cm <sup>2</sup>		
WEIGHT	重量	0.45 Kg		
TEMPERATURE RISE	温升	Less than 80K (<4780华)	DISTANCE 距离	a=20 mm
SOURCE VOLTAGE	驱动器电压	N/A	RADIAL-FORCE 径向压力	Fr=75 N Max.
INSULATION CLASS	绝缘等级	B 130°C	SHAFT RADIAL PLAY 径向间隙	0.02mm Max. @4N
DIELECTRIC STRENGTH	介电强度	600VAC 1MIN	SHAFT AXIAL PLAY 轴向间隙	0.08mm Max. @4N
INSULATION RESISTANCE	绝缘电阻	100MΩ @500VDC		
IP CODE	防护等级	N/A		
OPERATION AMBIENT	使用环境	Ambient temperature:-20...+50°C, humidity Max. 85%(No condensation)		
STORAGE AMBIENT	存储环境	Ambient temperature:-10...+35°C, humidity Max. 85%(No condensation)		

REV	ECN NO.	DESCRIPTION	DRN	APP'D	DATE	DESIGN	DATE	P/N.	3.101.057.xxxx
UNLESS OTHERWISE SPECIFIED TOLERANCES						MATERIAL	CONTR.	CHECK	TITLE
DECIMALS: .x ±0.5									Specifications
ANGULAR: .xx ±0.25 ±0°30'									USED ON
.xxx ±0.1									FL57STH41-2006A
UNIT: mm									DWG NO.
DO NOT SCALE DRAWING						FIRST ANGLE PROJECTION	SCALE 1:1		REV
									A
									FULLING MOTOR