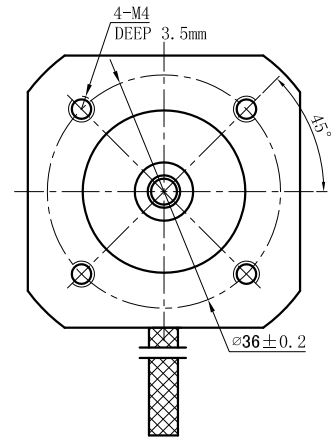
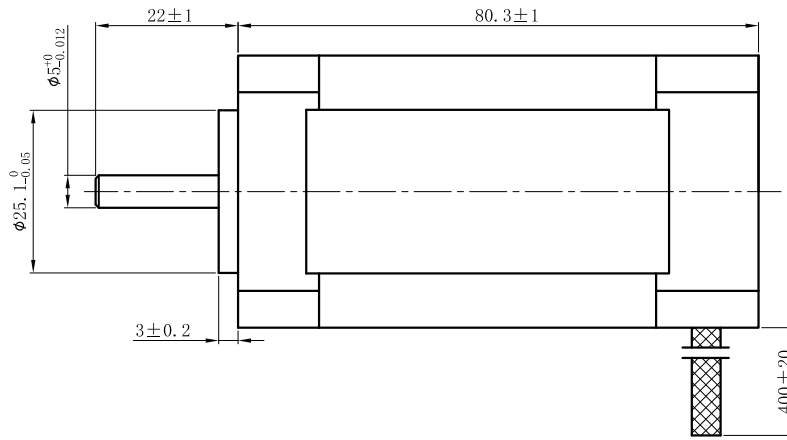
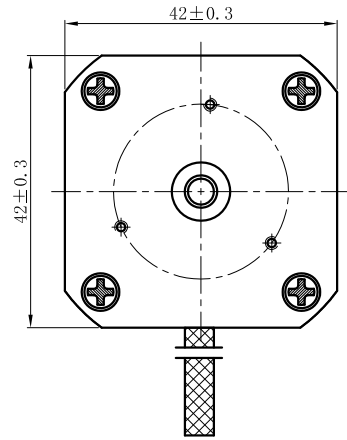
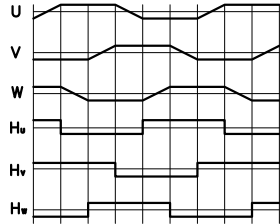


| REV | ECN NO. | DESCRIPTION | DRN | APPD | DATE |
|-----|---------|-------------|-----|------|------|
| | | | | | |
| | | | | | |

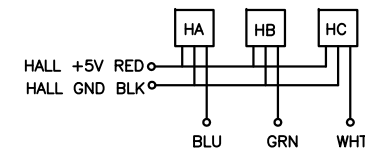


CCW COMMUTATION:
VIEWED FROM OUTPUT SHAFT

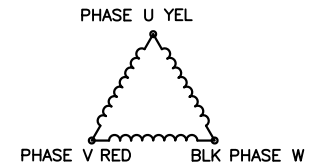


| | | | | | |
|-------------------------|--------|--|--------------------------------|---------|----------------|
| NUMBER OF PHASE | 绕组相数 | 3 | Wires for Phases UL1430 AWG20 | | |
| NUMBER OF POLES | 极数 | 8 | PHASE U | PHASE V | PHASE W |
| LINE TO LINE RESISANCE | 线电阻 | 0.3 ± 10% ohms@20°C | YEL | RED | BLK |
| LINE TO LINE INDUCTANCE | 线电感 | 0.5 ± 20% mH@1kHz | Wires for HALL UL1430 AWG26 | | |
| NOMINAL VOLTAGE | 额定电压 | 24 VDC | HALL Vc | Hu | Hv |
| NO LOAD SPEED | 空载转速 | 6300 ± 10% RPM | RED | BLU | GRN |
| NO LOAD CURRENT | 空载电流 | < 0.6 A | WHT | BLK | |
| RATED TORQUE | 额定转矩 | 0.25 N.m | PERMISSIBLE RADIAL+AXIAL FORCE | | |
| RATED SPEED | 额定转速 | 4000 ± 10% RPM | | | |
| RATED CURRENT | 额定电流 | 7.1 A | | | |
| PEAK TORQUE | 峰值转矩 | 0.75 N.m | | | |
| PEAK CURRENT | 峰值电流 | 21.3 A | | | |
| BACK EMF CONSTANT | 反电势常数 | 2.62 ± 10% Vrms/kRPM | | | |
| TORQUE CONSTANT | 转矩常数 | 0.0354 N.m/A | | | |
| INSULATION CLASS | 绝缘等级 | B 130°C | AXIAL-FORCE | 轴向压力 | Fa=10 N Max |
| DIELECTRIC STRENG | 介电强度 | 600VAC 1SEC | DISTANCE | 距离 | a=10 mm |
| INSULATION RESIST | 绝缘电阻 | 100M0hm @500VDC | RADIAL-FORCE | 径向压力 | Fr=28 N Max |
| ROTOR INERTIA | 转子转动惯量 | 96 g.cm ² | SHAFT RADIAL PLAY | 径向间隙 | 0.02mm Max.Ø4N |
| WEIGHT | 重量 | 0.8 Kg | SHAFT AXIAL PLAY | 轴向间隙 | 0.14mm Max.Ø4N |
| OPERATION AMBIENT | 使用环境 | Ambient temperature:-20...+50° C, humidity Max. 85%(No condensation) | | | |
| STORAGE AMBIENT | 存储环境 | Ambient temperature:-20...+85° C, humidity Max. 85%(No condensation) | | | |

HALL CONNECTING



THREE-PHASE CONNECTING



| REV | ECN NO. | DESCRIPTION | DESIGN | DATE | P/N. |
|----------------------------|------------------------|--------------|--------|-------|----------------|
| | | | | | |
| UNLESS OTHERWISE SPECIFIED | | MATERIAL | CONTR | CHECK | TITLE |
| TOLERANCES | | | | | Specifications |
| DECIMALS: | ANGULAR: | | | | USED ON |
| .x ±0.5 | ±0° 30' | | | | FL42BLS04 |
| .xx ±0.25 | | | | | DWG NO. |
| .xxx ±0.1 | | | | | REV |
| UNIT: mm | FIRST ANGLE PROJECTION | SCALE 1:1 | | | A |
| DO NOT SCALE DRAWING | | SHEET 1 OF 1 | | | FULLING MOTOR |