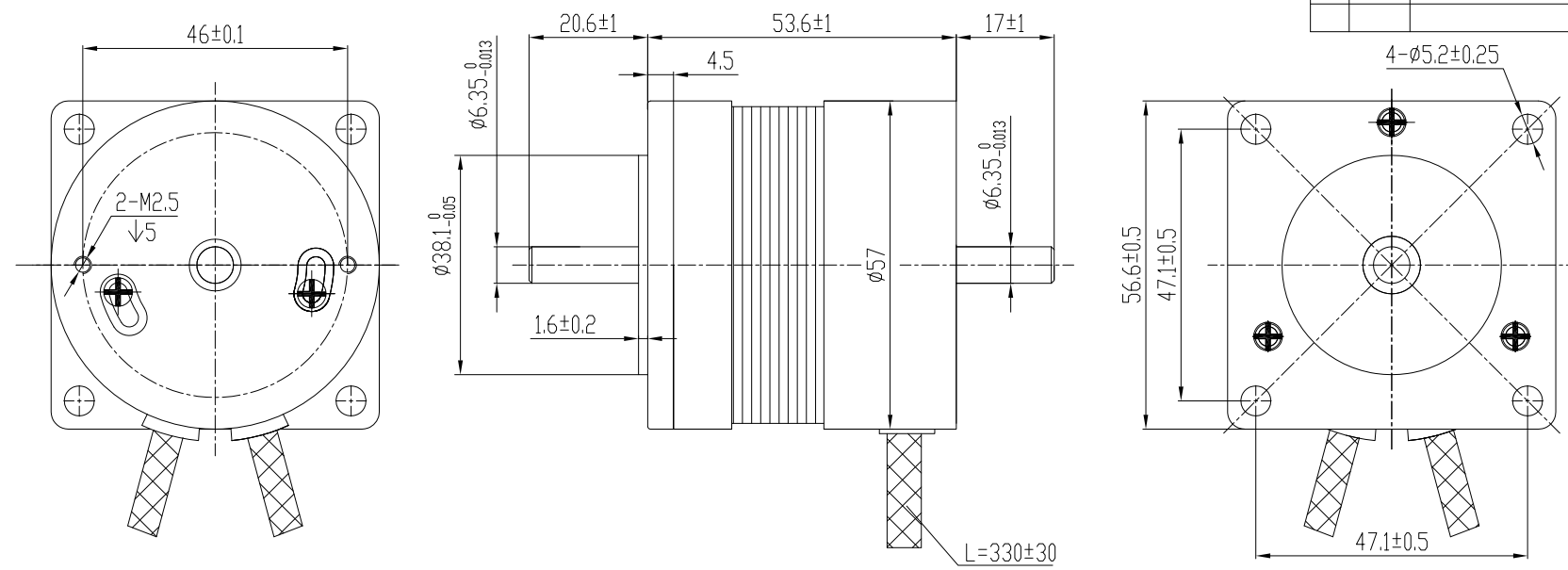
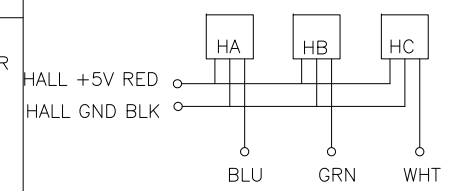


REV	ECN NO.	DESCRIPTION

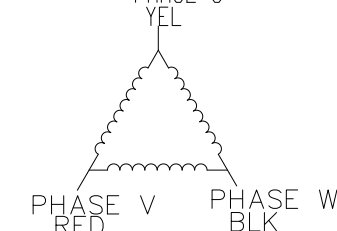


NUMBER OF PHASE	绕组相数	3	Wires for Phases UL1430 AWG20		
NUMBER OF POLES	极数	4	PHASE U	PHASE V	PHASE W
LINE TO LINE RESISTANCE	线电阻	1.63±10% ohms@20°C	YEL	RED	BLK
LINE TO LINE INDUCTANCE	线电感	4.39±20% mH@1kHz	Wires for Hall UL1430 AWG26		
NOMINAL VOLTAGE	额定电压	36 VDC	HALL Vc	Hu	Hv
NO LOAD SPEED	空载转速	5700±10% RPM	RED	BLU	GRN
NO LOAD CURRENT	空载电流	< 0.4 A	Hw	HALL Gnd	
RATED TORQUE	额定转矩	0.11N.m			
RATED SPEED	额定转速	4000(1±10%) RPM	PERMISSIBLE RADIAL+AXIAL FORCE		
RATED CURRENT	额定电流	1.8A	SPRING WASHER		
PEAK TORQUE	峰值转矩	0.33 N.m	BEARING		
PEAK CURRENT	峰值电流	5.5 A			
BACK EMF CONSTANT	反电势常数	4.5 Vrms/kRPM			
TORQUE CONSTANT	转矩常数	0.06N.m/A			
INSULATION CLASS	绝缘等级	B 130°C	AXIAL-FORCE	径向压力	Fa=75 N Max.
DIELECTRIC STRENGTH	介电强度	650VAC 1SEC	DISTANCE	距离	a=20 mm
INSULATION RESISTANCE	绝缘电阻	100MΩhm @500VDC	RADIAL-FORCE	轴向压力	Fr=15 N Max.
ROTOR INERTIA	转子转动惯量	75g.cm <sup>2</sup>	SHAFT RADIAL PLAY	径向间隙	0.025mm Max. @460g
WEIGHT	重量	0.44 Kg	SHAFT AXIAL PLAY	轴向间隙	0.025mm Max. @4000g
OPERATION AMBIENT	使用环境	Ambient temperature:-20...+55°C, humidity Max. 85%(No condensation)			
STORAGE AMBIENT	存储环境	Ambient temperature:-10...+35°C, humidity Max. 85%(No condensation)			

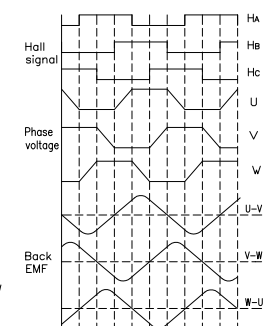
### HALL CONNECTING



### THREE-PHASE CONNECTING



### CW from shaft side



DESIGN	DATE	P/N.	3.1.02.057.0127
UNLESS OTHERWISE SPECIFIED TOLERANCES	MATERIAL	CONTR.	CHECK
DECIMALS: .x ±0.5			
ANGULAR: .xx ±0.25			
.xxx ±0.1			
UNIT: mm			
DO NOT SCALE DRAWING	FIRST ANGLE PROJECTION	SCALE	N.T.S
		SHEET	1 OF 1
		TITLE Specifications	
		USED ON FL57BLS01	
		DWG NO.	REV
		FULLING MOTOR	