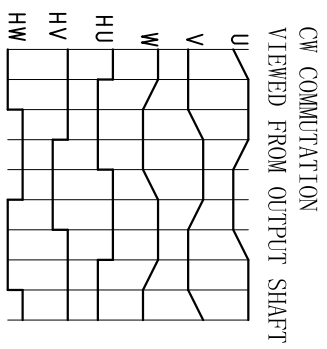
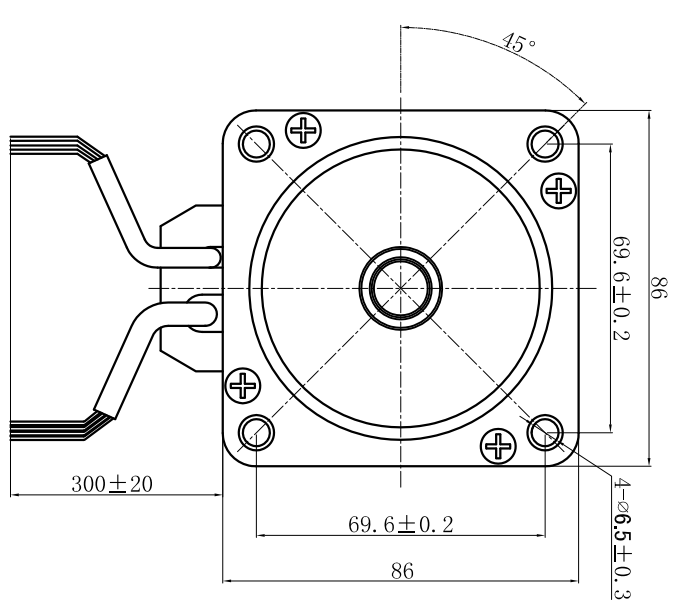
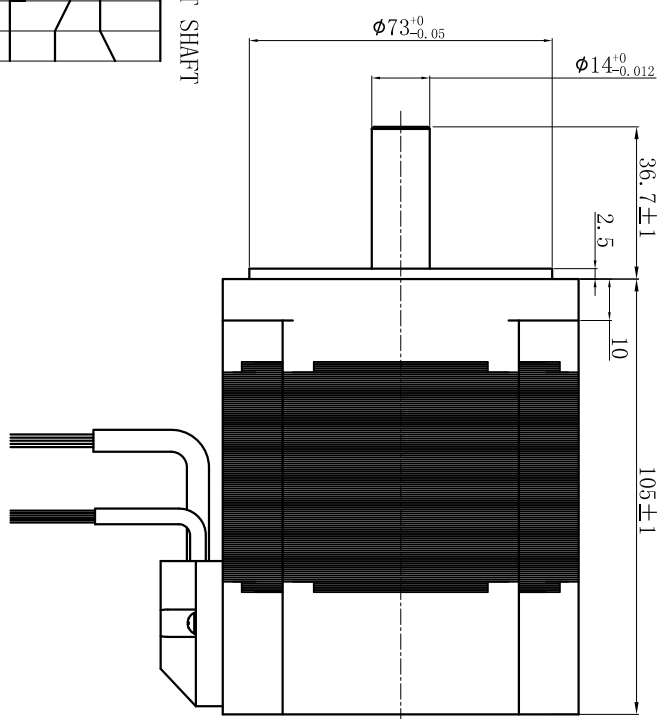
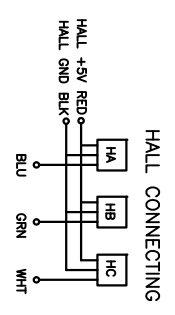
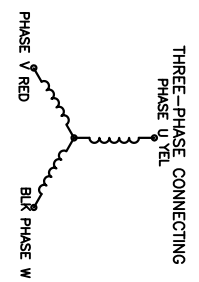
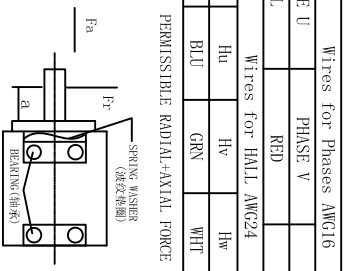


REV	EN. NO.	DESCRIPTION	DRN	APPD	DATE



NUMBER OF PHASE	绕组相数	3	PHASE U	PHASE V	PHASE W
NUMBER OF POLES	极数	8	YEL	RED	BLK
LINE TO LINE RESISTANCE	绕组阻	0.14±10% ohms@20°C			
LINE TO LINE INDUCTANCE	绕组电感	0.36±20% mH@1kHz			
NOMINAL VOLTAGE	额定电压	48 VDC			
NO LOAD SPEED	空载转速	3500 RPM			
NO LOAD CURRENT	空载电流	<1 A			
RATED TORQUE	额定转矩	1.6 N.m			
RATED SPEED	额定转速	3000 RPM			
RATED CURRENT	额定电流	12 A			
PEAK TORQUE	峰值转矩	4.8 N.m			
PEAK CURRENT	峰值电流	36 A			
BACK EMF CONSTANT	反电势常数	10 Vrms/KRPM			
TORQUE CONSTANT	转矩常数	0.135 N.m/A			
INSULATION CLASS	绝缘等级	B, 130°C			
DIELECTRIC STRENG	介电强度	1200VAC 1SEC			
INSULATION RESIST	绝缘电阻	100MΩmm @500VDC			
ROTOR INERTIA	转子转动惯量	1600 g·cm ²			
WEIGHT	重量	2.7 Kg			
OPERATION AMBIENT	使用环境	Ambient temperature:-20...+50°C, humidity Max. 85% (No condensation)			
STORAGE AMBIENT	存储环境	Ambient temperature:-20...+85°C, humidity Max. 85% (No condensation)			



REV	EN. NO.	DESCRIPTION	DATE	P./N.
UNLESS OTHERWISE SPECIFIED		MATERIAL	CONTR	TITLE
TOLERANCES:				Specifications
.x	±0.5			USED ON
.xx	±0.25			APPD
.xxx	±0.1			DMG NO.
UNIT: mm		FIRST ANGLE PROJECTION		REV
DO NOT SCALE DRAWING				A
				SCALE 1:1
				SHEET 1 OF 1
PULLING MOTOR				