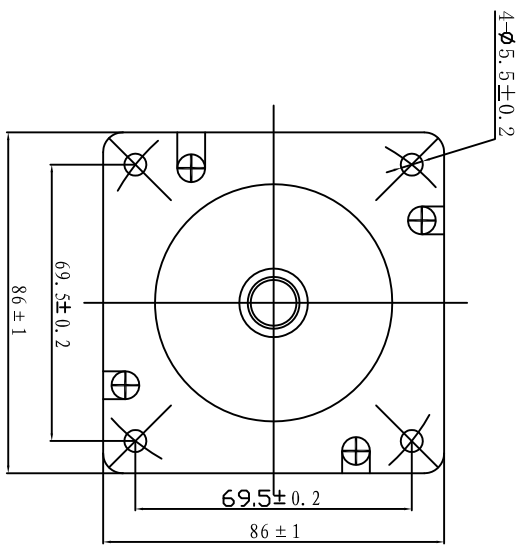
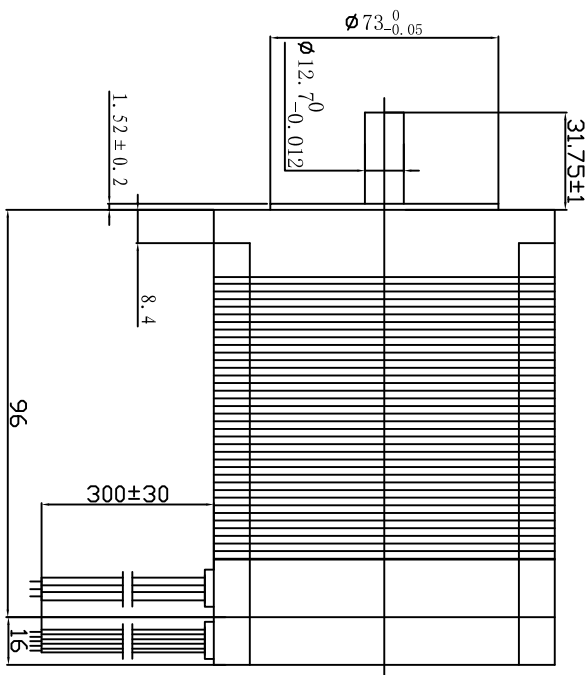
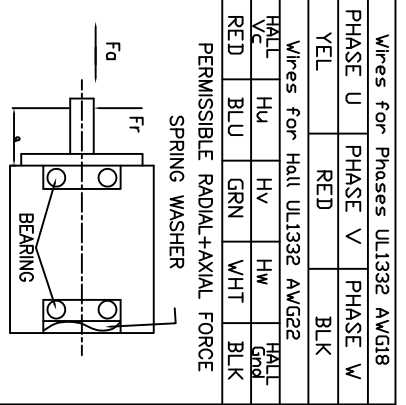


REV	ECN NO.	DESCRIPTION



NUMBER OF PHASE	绕组相数	3
NUMBER OF POLES	极数	8
LINE TO LINE RESISTANCE	线电阻	0.16±10% ohms@20°C
LINE TO LINE INDUCTANCE	线电感	0.5±20% mH@1KHz
NOMINAL VOLTAGE	额定电压	48 VDC
NO LOAD SPEED	空载转速	3400 RPM
NO LOAD CURRENT	空载电流	1.3 A
RATED TORQUE	额定转矩	1.4 N.m
RATED SPEED	额定转速	3000 RPM
RATED CURRENT	额定电流	11 A
PEAK TORQUE	峰值转矩	4.2 N.m
PEAK CURRENT	峰值电流	33.5 A
BACK EMF CONSTANT	反电势常数	9.4 Vrms/KRPM
TORQUE CONSTANT	转矩常数	0.127 N.m/A
INSULATION CLASS	绝缘等级	B 130°C
DIELECTRIC STRENGTH	介电强度	600VAC 1SEC
INSULATION RESISTANCE	绝缘电阻	100MΩhm @500VDC
ROTOR INERTIA	转子转动惯量	1600 g.cm ²
WEIGHT	重量	3.15 Kg
OPERATION AMBIENT	使用环境	Ambient temperature:-20...+55°C, humidity Max. 85% (No condensation)
STORAGE AMBIENT	存储环境	Ambient temperature:-10...+35°C, humidity Max. 85% (No condensation)



UNLESS OTHERWISE SPECIFIED		DESIGN	DATE	P/N
TOLERANCES		CHECK		3.1.02.XXX.XXXX
DECIMALS:	ANGULAR:	APPD		Specifications
.X ±0.5	±0.30°			FL86BL S98
.XX ±0.25				REV
.XXX ±0.1				A
UNIT: mm	SCALE N.T.S	SHEET 1	OF 1	PULLING MOTOR
DO NOT SCALE DRAWING	FIRST ANGLE PROJECTION			

