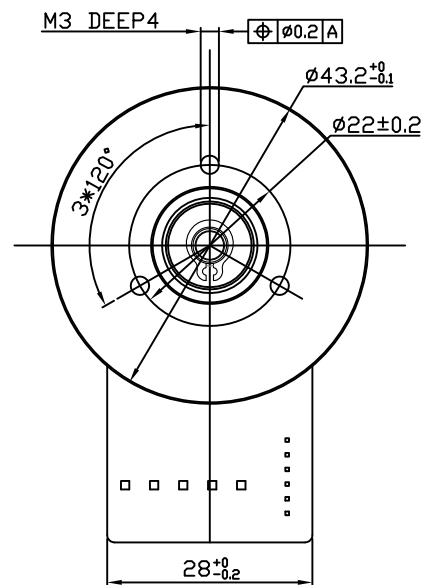
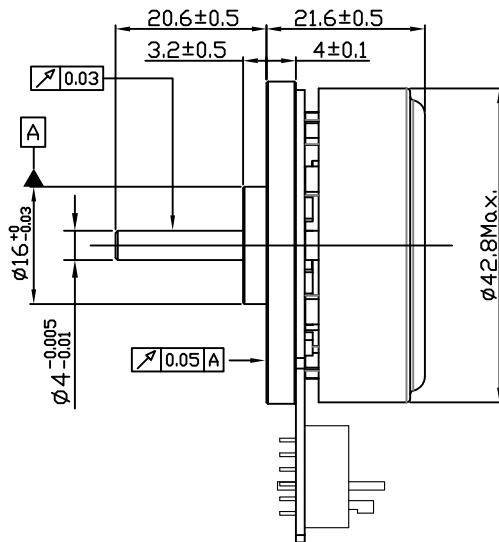
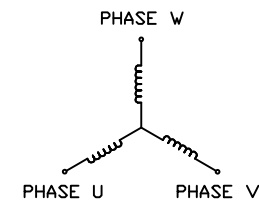


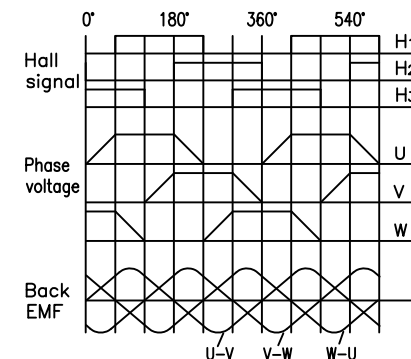
- CN1 JST B5P-VH:      CN2 JST B6B-PH-K-S:
- PIN1 - GND
  - PIN2 - Phase U
  - PIN3 - Phase V
  - PIN4 - Phase W
  - PIN5 - GND
  - PIN1-GND
  - PIN2-+5V DC(4.5-18V DC)
  - PIN3-Hall 1
  - PIN4-Hall 2
  - PIN5-Hall 3
  - PIN6-GND



THREE-PHASE CONNECTING



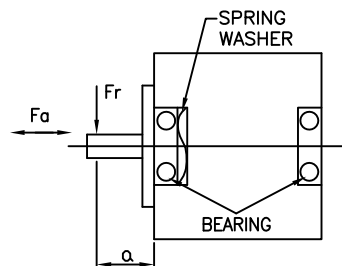
CW from shaft side  
从出轴端看为CW



OUTRUNNER BLDCM

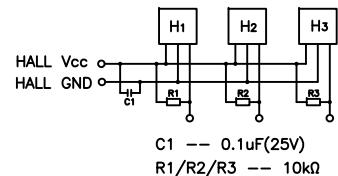
NUMBER OF PHASE	绕组相数	3
NUMBER OF POLES	极数	16
LINE TO LINE RESISTANCE	线电阻	0.72±10% ohms@20°C
LINE TO LINE INDUCTANCE	线电感	0.33±20% mH@1kHz
NOMINAL VOLTAGE	额定电压	24 VDC
NO LOAD SPEED	空载转速	6700 RPM
NO LOAD CURRENT	空载电流	<0.4 A
RATED TORQUE	额定转矩	84 mN.m
RATED SPEED	额定转速	5260 RPM
RATED CURRENT	额定电流	2.36 A
PEAK TORQUE	峰值转矩	250 mN.m
PEAK CURRENT	峰值电流	7.4 A
BACK EMF CONSTANT	反电势常数	2.55 Vrms/kRPM

PERMISSIBLE RADIAL+AXIAL FORCE



TORQUE CONSTANT	转矩常数	34.4 mN.m/A	AXIAL-FORCE 轴向压力	Fa=10 N Max.
INSULATION CLASS	绝缘等级	B 130°C	DISTANCE 距离	a=10 mm
DIELECTRIC STRENGTH	介电强度	600VAC 1s,2mA	RADIAL-FORCE 径向压力	Fr=28 N Max.
INSULATION RESISTANCE	绝缘电阻	100M0hm @500VDC		
ROTOR INERTIA	转子转动惯量	135 g.cm <sup>2</sup>	SHAFT RADIAL PLAY 径向间隙	0.02mm Max. @4N
WEIGHT	重量	120 g	SHAFT AXIAL PLAY 轴向间隙	0.14mm Max. @4N
OPERATION AMBIENT	使用环境	Ambient temperature:-20...+55°C,humidity Max. 85%(No condensation)		
STORAGE AMBIENT	存储环境	Ambient temperature:-10...+35°C,humidity Max. 85%(No condensation)		

HALL CONNECTION



REV	ECN NO.	DESCRIPTION	DRN	APP'D	DATE	DESIGN	DATE	P/N.	3.102.045.xxxx
UNLESS OTHERWISE SPECIFIED TOLERANCES						MATERIAL	CONTR.	CHECK	TITLE
DECIMALS: .x ±0.5									Specifications
ANGULAR: .xx ±0.25									USED ON
.xxx ±0.1									FL45BLW21-24V-6750A
UNIT: mm								APPD	DWG NO.
DO NOT SCALE DRAWING						FIRST ANGLE PROJECTION	SCALE N.T.S		REV
									A
									FULLING MOTOR
									SHEET 1 OF 1