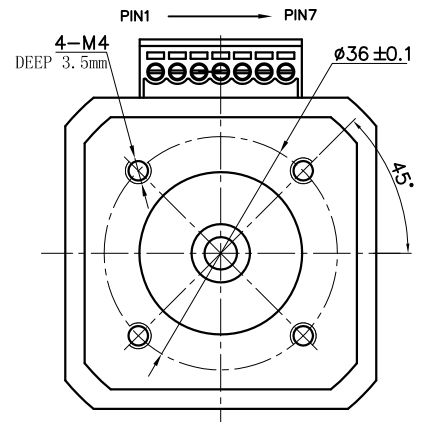
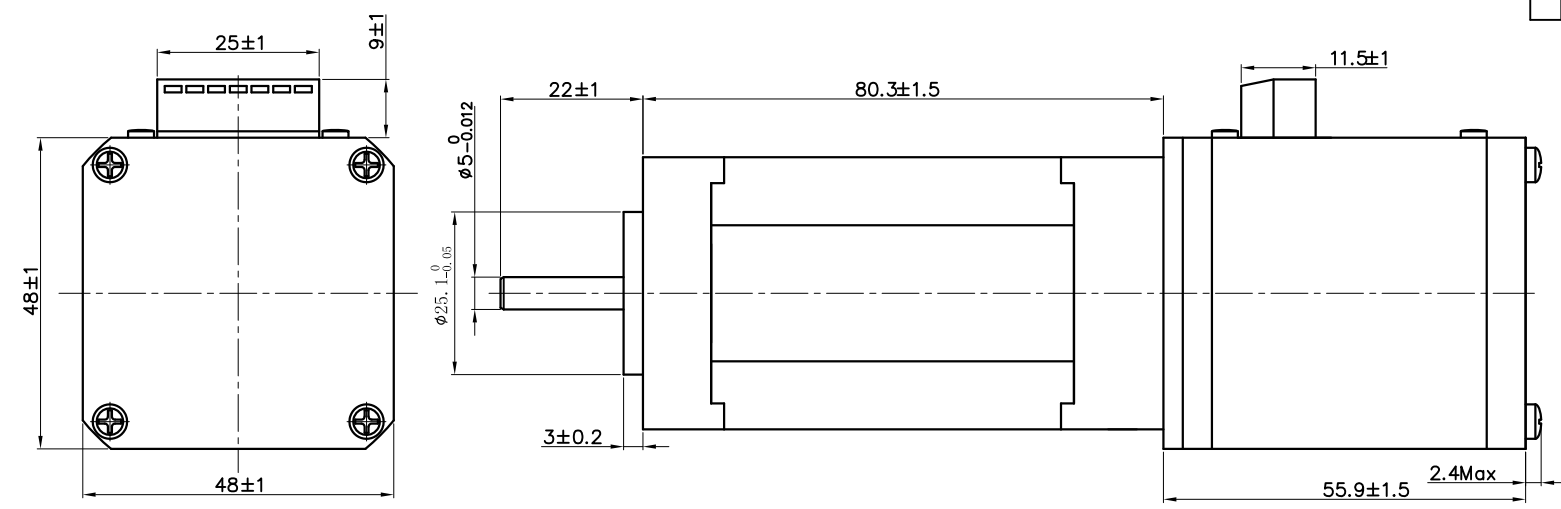


REV	ECN NO.	DESCRIPTION	DRN	APPD	DATE



CONNECTING INDICATING
连接说明

+5V F/R	SV	PG	GND	GND	+Vp
○	○	○	○	○	○
1	2	3	4	5	6

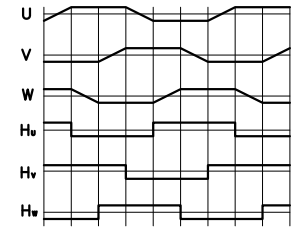
DETAILS: 详细说明

- 7 +Vp---DC POWER INPUT +24VDC / 直流电源输入端 +24V
- 6 GND---COMMON GROUND OF SYSTEM / 系统公共接地端
- 5 GND---COMMON GROUND OF SYSTEM / 系统公共接地端
- 4 PG---SPEED PULSE OUTPUT(TTL), 24 PULSE/REV / 速度脉冲输出 (TTL) , 24脉冲/转
- 3 SV---SPEED VOLTAGE 0--5VDC / 调速电压 0--5VDC
- 2 F/R---ROTATING DIRECTION, Hi=CW / 转向调节端, 高电平=顺时针
- 1 +5V---+5V VOLTAGE OUTPUT / +5V 电压输出端

NOTE: / 技术要求

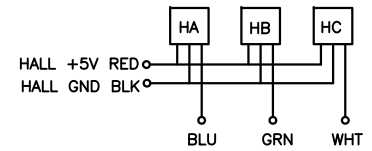
- SPEED CLOSE-LOOP CONTROL: 6000 RPM MAX.
- SV=5VDC / 速度环控制: 在调速电压为5V时, 转速最高6000 RPM

CCW COMMUTATION:
VIEWED FROM OUTPUT SHAFT

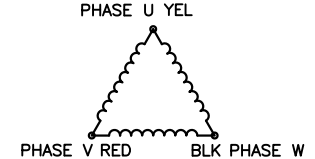


NUMBER OF PHASE 绕组相数		Wires for Phases UL1430 AWG20		
NUMBER OF POLES 极数	8	PHASE U	PHASE V	PHASE W
LINE TO LINE RESISANCE 线电阻	0.43±10% ohms@20°C	YEL	RED	BLK
LINE TO LINE INDUCTANCE 线电感	0.71±20% mH@1kHz	Wires for HALL UL1430 AWG26		
NOMINAL VOLTAGE 额定电压	24 VDC	HALL Vc	Hu	Hv
NO LOAD SPEED 空载转速	6100±10% RPM	RED	BLU	GRN
NO LOAD CURRENT 空载电流	<0.5 A	WHT	BLK	HALL Gnd
RATED TORQUE 额定转矩	0.185 N.m	PERMISSIBLE RADIAL+AXIAL FORCE		
RATED SPEED 额定转速	4000±10% RPM			
RATED CURRENT 额定电流	5 A			
PEAK TORQUE 峰值转矩	0.56 N.m			
PEAK CURRENT 峰值电流	15 A			
BACK EMF CONSTANT 反电势常数	2.74±10% Vrms/kRPM			
TORQUE CONSTANT 转矩常数	0.037 N.m/A			
INSULATION CLASS 绝缘等级	B 130°C	AXIAL-FORCE 轴向压力	Fa=10 N Max	
DIELECTRIC STRENG 介电强度	600VAC 1SEC	DISTANCE 距离	a=10 mm	
INSULATION RESIST 绝缘电阻	100M0hm @500VDC	RADIAL-FORCE 径向压力	Fr=28 N Max	
ROTOR INERTIA 转子转动惯量	72 g.cm²	SHAFT RADIAL PLAY 径向间隙	0.02mm Max.Ø4N	
WEIGHT 重量	0.65 Kg	SHAFT AXIAL PLAY 轴向间隙	0.14mm Max.Ø4N	
OPERATION AMBIENT 使用环境	Ambient temperature:-20...+50° C, humidity Max. 85%(No condensation)			
STORAGE AMBIENT 存储环境	Ambient temperature:-20...+85° C, humidity Max. 85%(No condensation)			

HALL CONNECTING



THREE-PHASE CONNECTING



REV	ECN NO.	DESCRIPTION	DESIGN	DATE	P/N.
UNLESS OTHERWISE SPECIFIED		MATERIAL	CONTR	CHECK	TITLE
TOLERANCES					Specifications
DECIMALS:	ANGULAR:				USED ON
.x ±0.5	±0° 30'				FL42BLS03-1E
.xx ±0.25					DWG NO.
.xxx ±0.1					REV
UNIT: mm	FIRST ANGLE PROJECTION			SCALE 1:1	A
DO NOT SCALE DRAWING				SHEET 1 OF 1	FULLING MOTOR