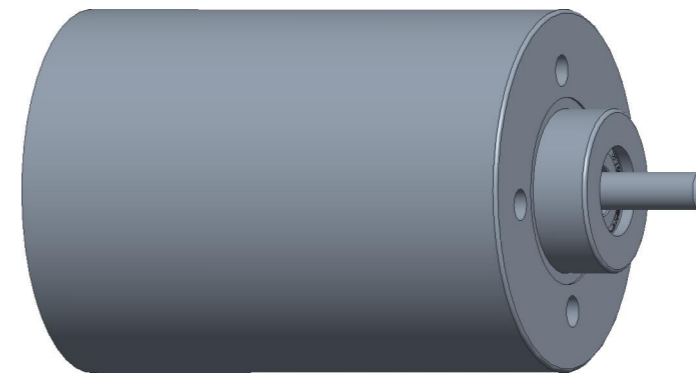
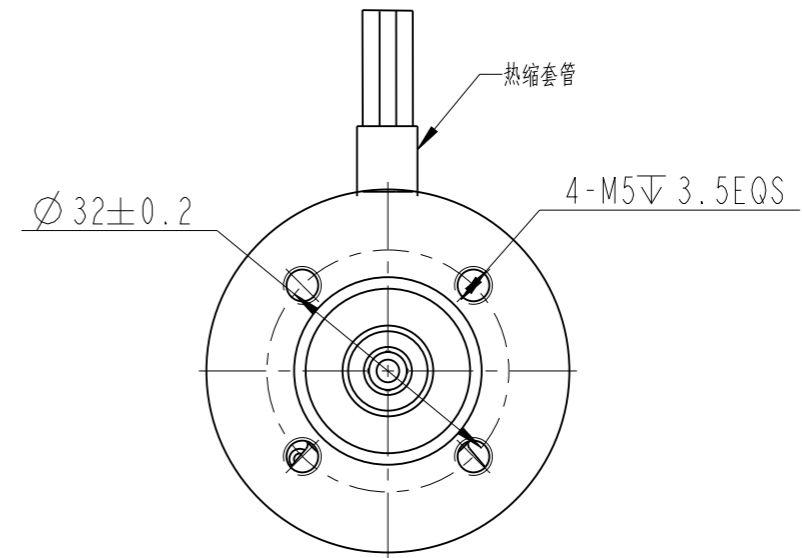
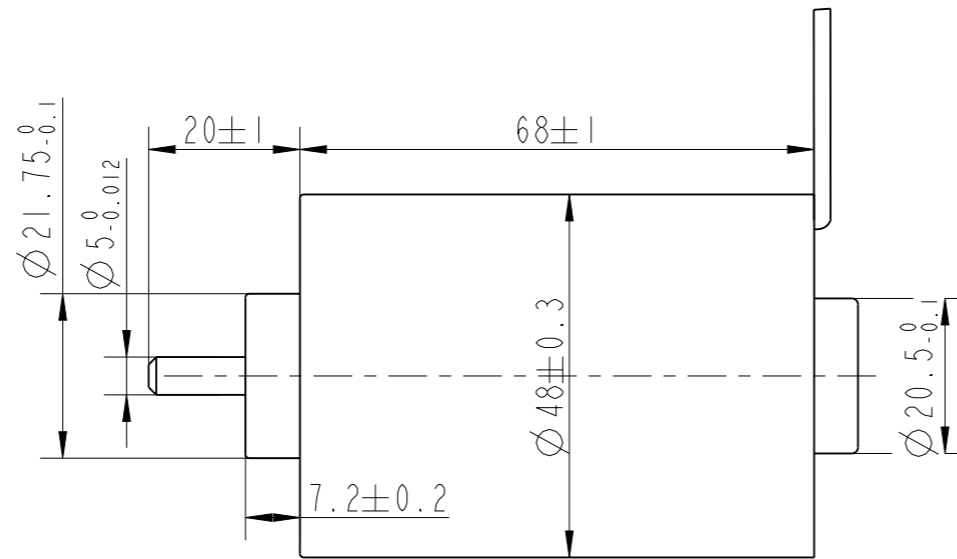
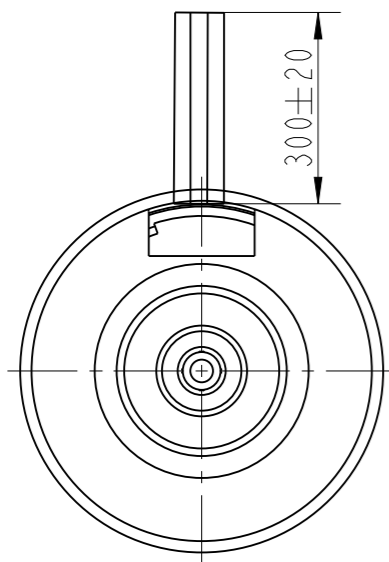


REV	ECN	NO	DESCRIPTION	DRN	APP'D	DATE



NUMBER OF PHASE	绕组相数	3	Wires for Phases UL1430 AWG20			
NUMBER OF POLES	极数	10	VCC(+9~+24V)		GND(0V)	
LINE TO LINE RESISTANCE	线电阻	0.7±10% ohms@20°C	RED		BLK	
LINE TO LINE INDUCTANCE	线电感	0.7±20% mH@1kHz	Wires for Phases UL1430 AWG26			
NOMINAL VOLTAGE	额定电压	24 VDC	cw/ccw	PWM	FG	
NO LOAD SPEED	空载转速	4000±10% RPM	GRN	WHT	YEL	
NO LOAD CURRENT	空载电流	0.5 A	PERMISSIBLE RADIAL+AXIAL FORCE			
RATED TORQUE	额定转矩	0.18 N.m				
RATED SPEED	额定转速	3000±10% RPM				
RATED CURRENT	额定电流	3 A				
PEAK TORQUE	峰值转矩	0.30 mN.m				
PEAK CURRENT	峰值电流	5 A				
BACK EMF CONSTANT	反电势常数	4.3±10%Vrms/kRPM				
TORQUE CONSTANT	转矩常数	58±10% mN.m/A	AXIAL-FORCE	轴向压力	Fa=10 N Max	
INSULATION CLASS	绝缘等级	B 130°C	DISTANCE	距离	a=10 mm	
DIELECTRIC STRENG	介电强度	650VAC ISEC	RADIAL-FORCE	径向压力	Fr=28 N Max	
INSULATION RESIST	绝缘电阻	100MΩhm @500VDC	SHAFT RADIAL PLAY	径向间隙	0.02mm Max.@4N	
ROTOR INERTIA	转子转动惯量	TBDg.cm ²	SHAFT AXIAL PLAY	轴向间隙	0.14mm Max.@4N	
WEIGHT	重量	TBDkg				
OPERATION AMBIENT	使用环境	Ambient temperature:-20...+50°C, humidity Max.85%(No condensation)				
STORAGE AMBIENT	存储环境	Ambient temperature:-10...+85°C, humidity Max.85%(No condensation)				

A	REV	ECN	NO	DESCRIPTION	DESIGN	DATE	P/N.	TITLE
							3.1.02.048.	specification
UNLESS OTHERWISE SPECIFIED TOLERANCES:				MATERIAL	CONTR.	CHECK	USED ON	FL48CBL68-24V-3060A-1E
DECIMALS: .X ±0.5 .XX ±0.25 .XXX ±0.1				ANGULAR: ±0°30'		APPD	DWG NO.	REV A
UNIT: mm				FIRST ANGLE PROJECTION		SCALE 1:1	FULLING MOTOR	
DO NOT SCALE DRAWING						SHEET 1 OF 1		